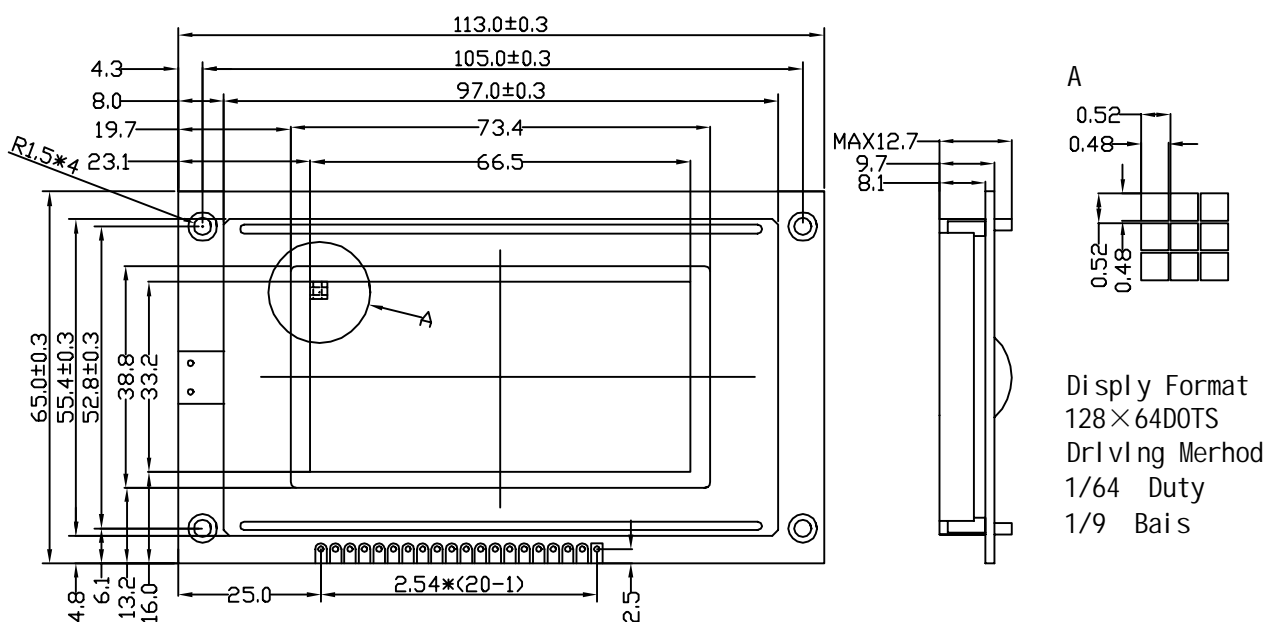


① PHYSICAL DIMENSION/外型尺寸

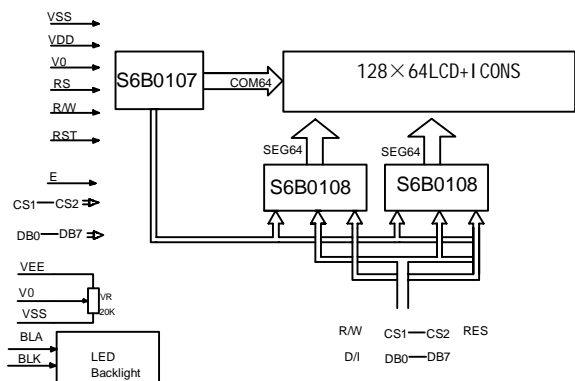


② FEATURES/特征

Feature(特征)	UNIT(单位)
LCD type & Colour(类型及颜色)	STN Yel low-green ; STN Bl ue
View Angle(视角)	6 0' cl ock
Operating temperature(工作温度)	-20℃ ---- 70℃
Storage Temperature(贮存温度)	-30℃ ---- 80℃
Control IC & Package(控制芯片及封装)	S6B0107 , COB
Weight(重量)	98 (With B/L)
Backlight(背光类型)	LED

	Ta=25℃	MIN(最小)	TYP(典型)	MAX(最大)	UNIT(单位)	
Supply current don't contain backlight(无背光时电流)	0		9.2		mA	
VDD(电源)	-0.3	3.3	5.0	5.5	V	
VLCD-V0(LCD驱动电压)	0		-4.7		V	
Backlight LED (背光电压,电流)	侧背光	0	3.3	5.0	5.0	V
	底背光	0		75		mA
		0		5.0	5.5	V
		0		180		mA

④ BLOCK DIAGRAM/原理电路



③ PIN CONFIGURATION/管脚说明

PIN	SYMBOL	DESCRIPTION(定义描述)
1	VSS	Power ground (地)
2	VDD	Power posi tive(逻辑电压)
3	V0	Operating voltage for LCD Driver(对比度调节)
4	RS	H:Data L:Instruction Code(指令 数据信号)
5	R/W	Read or Write.(写数据)
6	E	Enable trigger.(使能信号)
7	DB0	Data bus [0-7]. There state I/O common terminal.(数据线0-7)
14	DB7	
15	CS1	Chi p select signal (片选1)
16	CS2	Chi p select signal (片选2)
17	RST	Reset Signal (复位)
18	VEE	Negati ve voltage output (负压输出)
19	BLA	Power supply for backlight(+)(背光正极)
20	BLK	Power supply for backlight(-)(背光负极)

⑤ ELUCIDATION/补充备注